

Prevent Oil Spills & Save Money Too!!

Use this checklist to inspect your heating oil tank.

Can you answer YES to all 10 questions?

1) Does the fill pipe have a cover to keep water out and is the area around it free of stains?
 NO YES

2) Is the fuel system protected from overhead damage, such as falling ice, snow or trees?
 NO YES

3) If you have a fuel gauge and overfill alarm do they work?
 NO YES

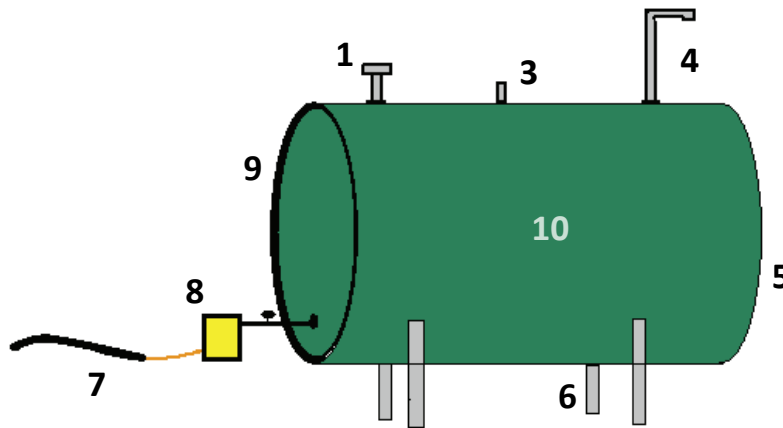
10) Is the fuel tank less than 15 years old? If not, you may want to consider replacing it.
 NO YES

9) Is the tank, especially the ends, free of stains or wet spots?
 NO YES

4) Is the vent pipe clear of debris and insects?
 NO YES

8) Is the fuel filter protected from damage and free of excess water?
 NO YES

5) Is the tank free of dents and rust? Is it painted to protect it?
 NO YES



7) Are the fuel lines protected (lines in the ground or concrete are inside liquid-tight conduit) from damage?
 NO YES

6) Are the tank legs or stand the right size, in good condition and on a stable foundation? The tank should not be touching the ground.
 NO YES

Tips for Underground Tanks!!

- ◆ **Check the tank for water!** Excessive amounts of water can indicate the tank is leaking and can corrode the tank from the inside. Ask your fuel provider to test your tank once a year.
- ◆ **Have the system pressure tested if possible!** Return lines can leak for years with no indication of a problem and can cost you a lot in lost fuel.
- ◆ **Check for dead vegetation, sheen and odors in low areas!** These are all signs of a fuel spill.
- ◆ **How old is your tank?** Most underground tanks fail eventually, some in as little as five years. If you don't know how old your tank is, maybe it's time to replace it.
- ◆ **Are electric lines buried near the fuel tank or fuel lines?** Electrolysis can cause premature failure of the tank or fuel lines.



**Alaska Department of
Environmental Conservation**
Division of Spill Prevention and
Response

ADEC Area Response Teams
Anchorage: (907)-269-3063
Fairbanks: (907)-451-2121
Juneau: (907)-465-5340
Evening & Weekends: 1-800-478-9300

For more information on
heating oil systems visit:
www.dec.alaska.gov/spar/perp/hho.htm